

NOTE: USE LOCTITE,
MEDIUM STRENGTH

SEE PARTS LIST 190,727-10-01

MATL NOTED		H.T. N/A		COATING N/A	
REV. DATE	12/28/09	ADDED DETAILS "A" & "B"			
REV. BY	J.Wilkins	SEE SHEET 02 FOR SEAL ORIENTATION			
CK BY:	SAVAGE	ADDED CALLOUT FOR ITEM 32			
APP. BY:	BFB				
DRAWN BY:	ML	CHECKED BY:	BFB	APPROVED BY:	BFB
				RELEASE DATE	04/11/07
UNLESS OTHERWISE SPECIFIED, DIM. IN INCHES, © .010 T.I.R., FRAC ±1/8, 1 PLACE ±.060, 2 PLACE ±.030, 3 PLACE ±.010, ANGLE ±0° 30', 125 RMS MAX, BREAK CORNERS .010					

Radoil, Inc.

HOUSTON, TX. USA

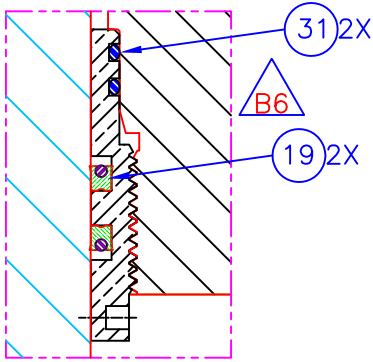
CHOKE AND KILL CONNECTOR
3-1/16" API 10K
BX-154 RING GROOVES

DRAWING & INFORMATION ARE
PROPERTY OF RADOIL, INC.

ASSEMBLY

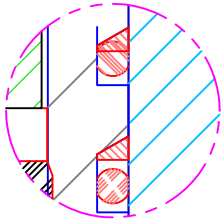
SHEET 1 OF 4	REV. B6
--------------	------------

190,727-10-01

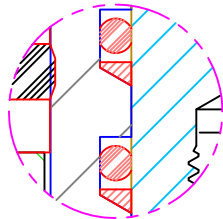


DETAIL "B"
2:1 SCALE

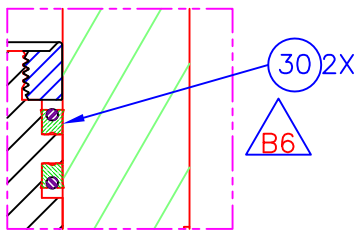
NOTE: USE LOCTITE,
MEDIUM STRENGTH



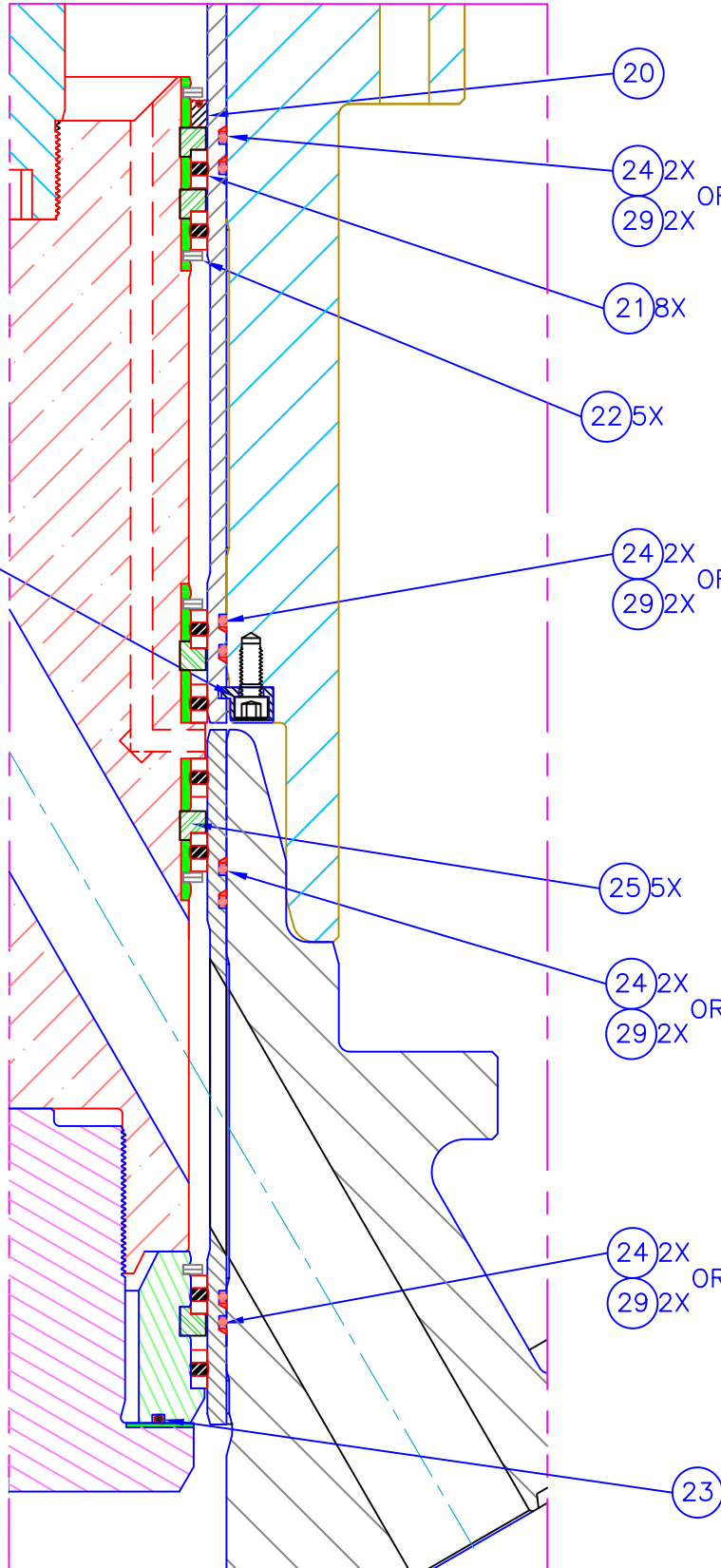
BACK-UP RING
ORIENTATION "A"
2X AS SHOWN
4:1 SCALE



BACK-UP RING
ORIENTATION "B"
2X AS SHOWN
4:1 SCALE



DETAIL "A"
2:1 SCALE



DETAIL "C"

MATL NOTED	H.T. N/A	COATING N/A
REV. DATE 12/28/09	ADDED DETAIL VIEWS "A" & "B"	
REV. BY J.Wilkins	WITH SEAL CALLOUTS	
CK BY: SAVAGE	SEE SHEET 01	
APP. BY: BFB		
DRAWN BY: M.L.	CHECKED BY: BFB	APPROVED BY: BFB
		RELEASE DATE 4/11/07

UNLESS OTHERWISE SPECIFIED, DIM. IN INCHES, © .010 T.I.R.,
FRAC ±1/8, 1 PLACE ±.060, 2 PLACE ±.030, 3 PLACE ±.010,
ANGLE ±0° 30', 125 RMS MAX, BREAK CORNERS .010

Radoil, Inc.

HOUSTON, TX. USA

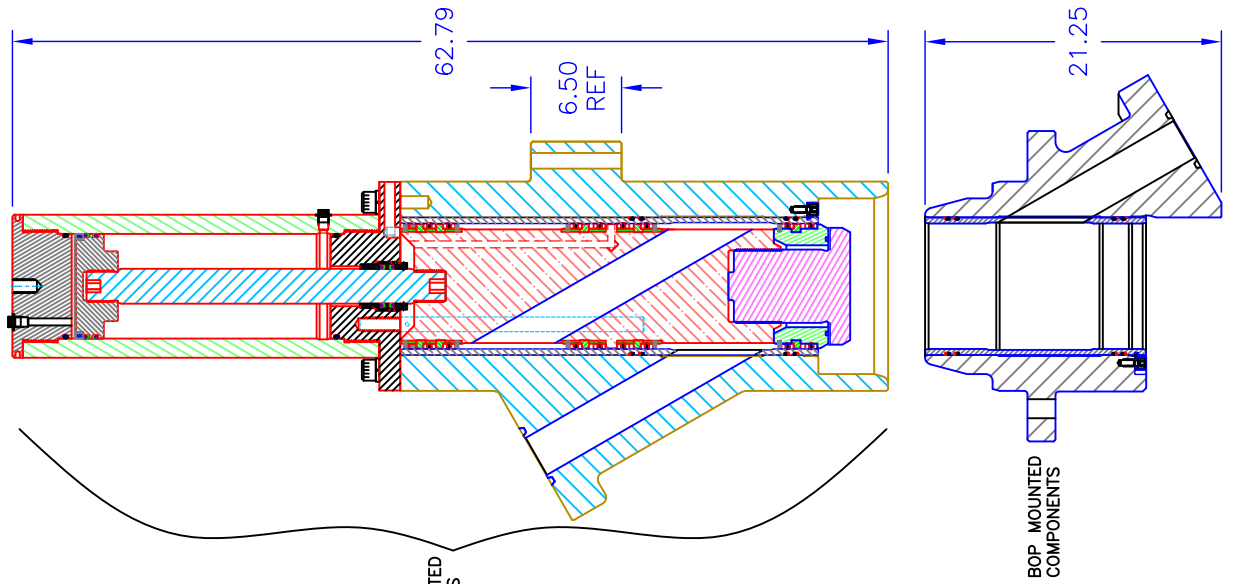
CHOKE AND KILL CONNECTOR
3-1/6" API, 10K
BX-154 RING GROOVES

DRAWING & INFORMATION ARE
PROPERTY OF RADOIL, INC.

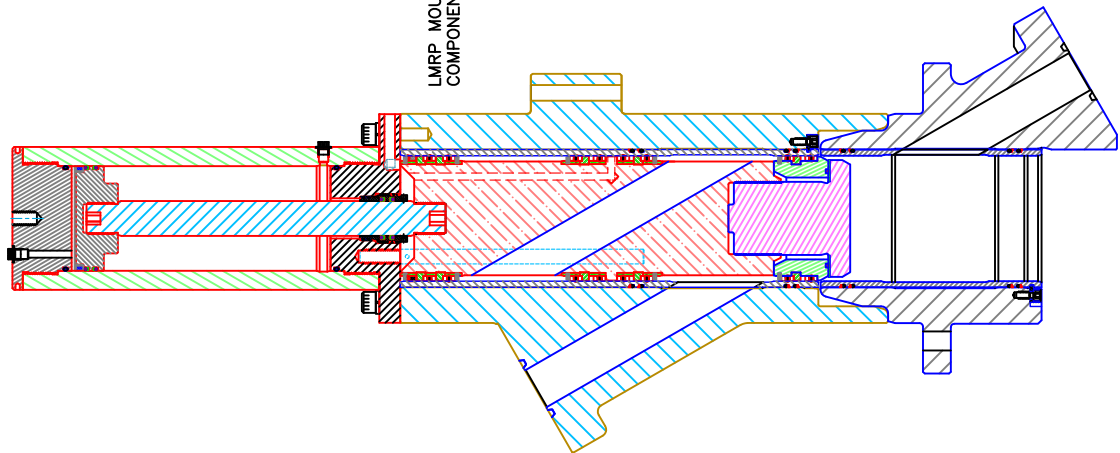
SHEET 2 OF 4 REV. B6

190,727-10-01

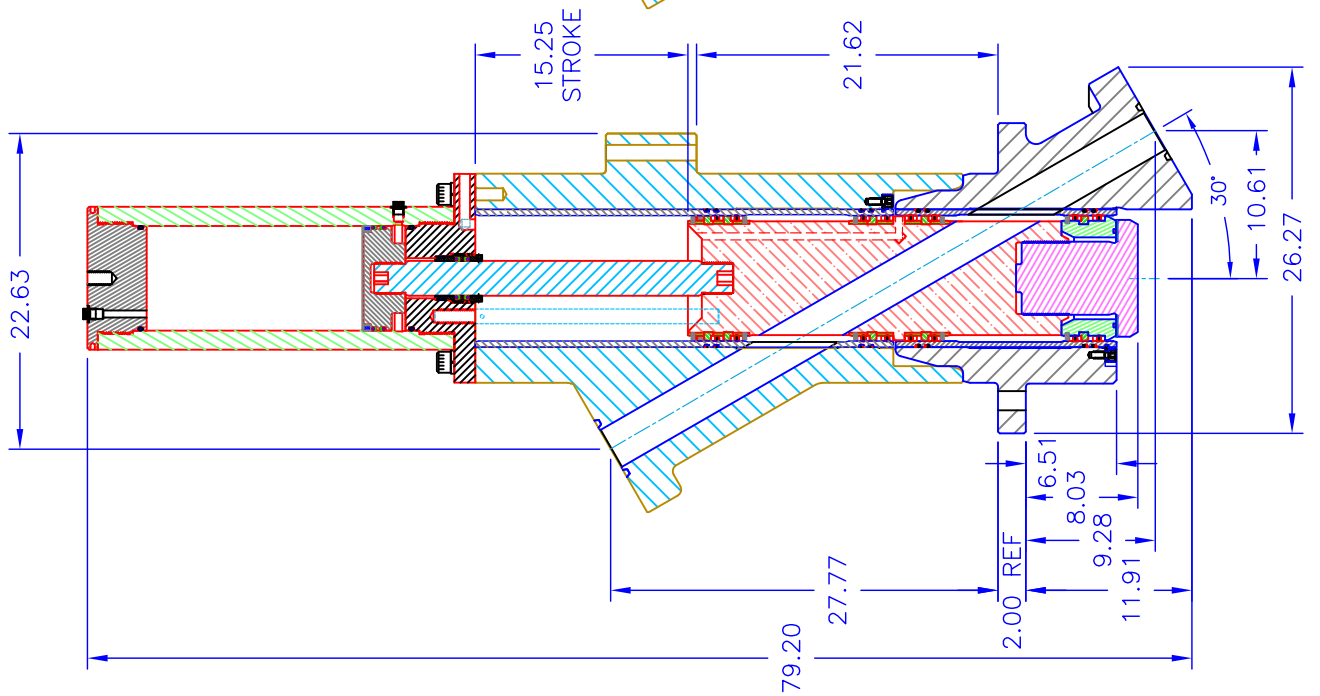
SEPARATED



DISENGAGED



ENGAGED



MATL NOTED		H.T. N/A		COATING N/A	
REV. DATE 12/28/09		SEE SHEETS 01 & 02			
REV. BY J.Wilkins					
CK BY: SAVAGE					
APP. BY: BFB					
DRAWN BY: ml	CHECKED BY: BFB	APPROVED BY: BFB	RELEASE DATE: 4/11/07		

UNLESS OTHERWISE SPECIFIED, DIM. IN INCHES, © .010 T.I.R.,
 FRAC ±1/8, 1 PLACE ±.060, 2 PLACE ±.030, 3 PLACE ±.010,
 ANGLE ±0° 30', 125 RMS MAX, BREAK CORNERS .010

Radoil, Inc.

HOUSTON, TX. USA

CHOKE AND KILL CONNECTOR

3-1/16" API 10K

BX-154 RING GROOVES

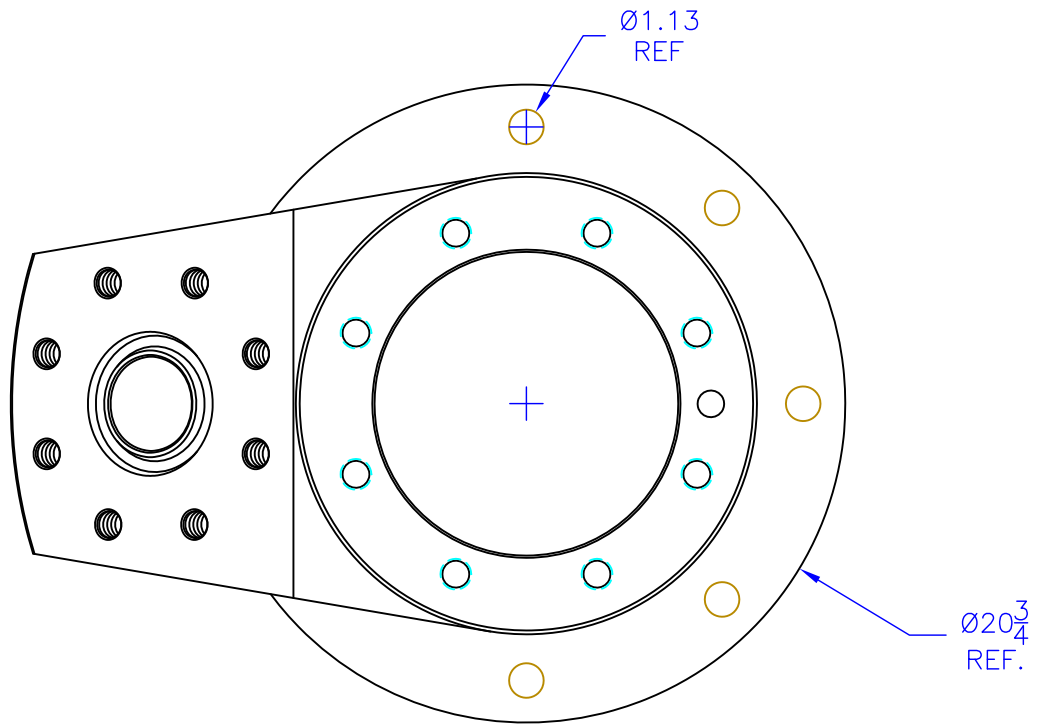
POSITION VIEWS

ENGAGED, DISENGAGED & SEPARATED

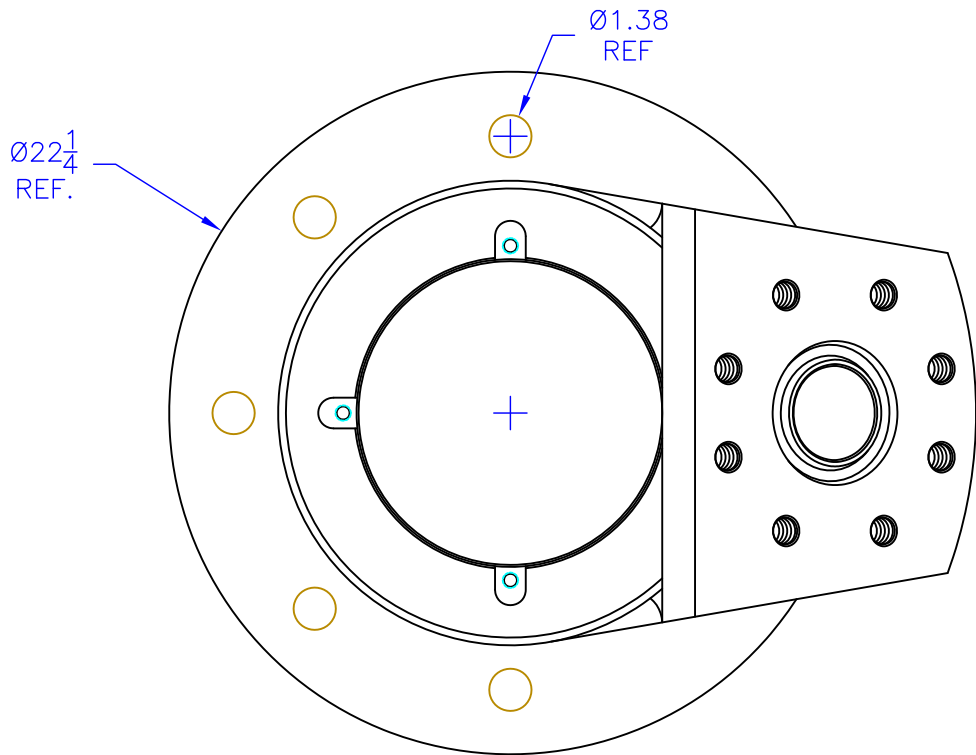
DRAWING & INFORMATION ARE
PROPERTY OF RADOIL, INC.

SHEET 3 OF 4	REV. B6
--------------	---------

190,727-10-01



MAIN BODY
TOP VIEW



RECEPTACLE
BOTTOM VIEW

MATL NOTED		H.T. N/A		COATING N/A		Radoil, Inc.		HOUSTON, TX. USA		
REV. DATE	12/28/09	SEE SHEETS 01 & 02								
REV. BY	J.Wilkins					CHOKE AND KILL CONNECTOR 3-1/16" API 10K BX-154 RING GROOVES		DRAWING & INFORMATION ARE PROPERTY OF RADOIL, INC.		
CK BY:	Savage									
APP. BY:	BFB					UNLESS OTHERWISE SPECIFIED, DIM. IN INCHES, © .010 T.I.R., FRAC ±1/8, 1 PLACE ±.060, 2 PLACE ±.030, 3 PLACE ±.010, ANGLE ±0° 30', 125 RMS MAX, BREAK CORNERS .010		SHEET 4 OF 4		REV. B6
DRAWN BY:	M.L.	CHECKED BY:	BFB	APPROVED BY:	BFB					
UPPER & LOWER MOUNTING FLANGES										

ITEM	P/N	REV	QTY	NAME
1	111,975-01-01	B3	1	BODY, C&K CONN, 3-1/16, 10K
2	111,975-10-01	A5	1	RECEPT, C&K,3-1/16, 10 K
3	112,065-60-01	A5	1	LINER, BODY, C&K,
4	112,065-61-01	A6	1	LINER, RECEPT., C&K,
5	111,975-30-01	A2	1	CYL., HYD., C&K CONN
6	111,975-31-01	B3	1	BASE, CYL, HYD, C&K CONN
7	111,975-32-01	A5	1	TOP, CYL, HYD, C&K CONN
8	111,975-33-01	A3	1	ROD, CYL, HYD, C&K CONN
9	111,975-34-01	B2	1	PISTON, CYL, HYD, C&K
10	111,975-42-01	B2	1	RING,SEAL,CYL,STAB,C&K
11	111,975-41-01	B1	1	NOSE, CYL, STAB, C&K
12	112,065-20-01	C1	1	VALVE, STAB, CYL, C&K
13	111,975-45-01	A3	1	ROD, ALIGNMENT, C&K CONN
14	161,002-16-07	A1	8	SHCS, 1"-8 X 3"
15	161,007-16-02	A1	8	WASHER, LOCK, 1", SS
16	161,002-08-30	A1	4	SHCS, 1/2-13 X 1
17	112,065-62-01	A1	4	FASTENER,CAPTIVE,LINER
18	160,568-441-01	A1	2	O-RING, 441, .25 X 7.0 I.D.
19	160,590-31-01	A1	2	POLYPAK, 3" X 2.5", MOLY
20	160,590-25-01	A1	1	POLYPAK, 9" X 8.25"
21	111,100-08-01	A4	8	SEAL, PACKER 17D, 9.000" O.D.
22	160,040-57-01	A1	5	RING, SPIROLOX, WSM-825-S02
23	160,568-363-01	A1	1	O-RING, 363
24	160,568-375-01	A1	8	O-RING, 375 (9-1/2 ID)
25	111,975-43-01	A2	5	RING, LOAD, SEAL, PACKER
26	112,181-23-01	B4	2	NAME TAG, GENERIC, 3.25 X 2.5
27	161,006-21-01	A1	8	EASY DRIVE NAIL, 1/8 x 1/4,SS
28	163,904-01-03	A1	2	PLUG, CAP, PLASTIC
29	112,065-63-01	B2	8	RING, BACK-UP, SEAL, LINER
30	160,590-32-01	A1	2	POLYPAK, 7.5" X 7", MOLY
31	160,568-233-01	A1	2	O-RING, 233
32	111,975-36-01	A2	1	BUSHING, BASE, CYLINDER, HYD.